



Griffco Valve Inc.
6010 N. Bailey Ave. Suite. 1B
Amherst, NY 14226
PH: 716 835-0891
FAX: 716 835-0893

G-SERIES PTFE FLANGED VALVE



Griffco G-Series diaphragm pressure relief valves are designed to protect chemical feed systems from over pressure damage caused by defective equipment or a blockage in the chemical feed line. Robust construction ensures reliability in the rigorous service of municipal and industrial applications. Wetted materials are: **PTFE** (only). Available sizes: 1/2" - 1".

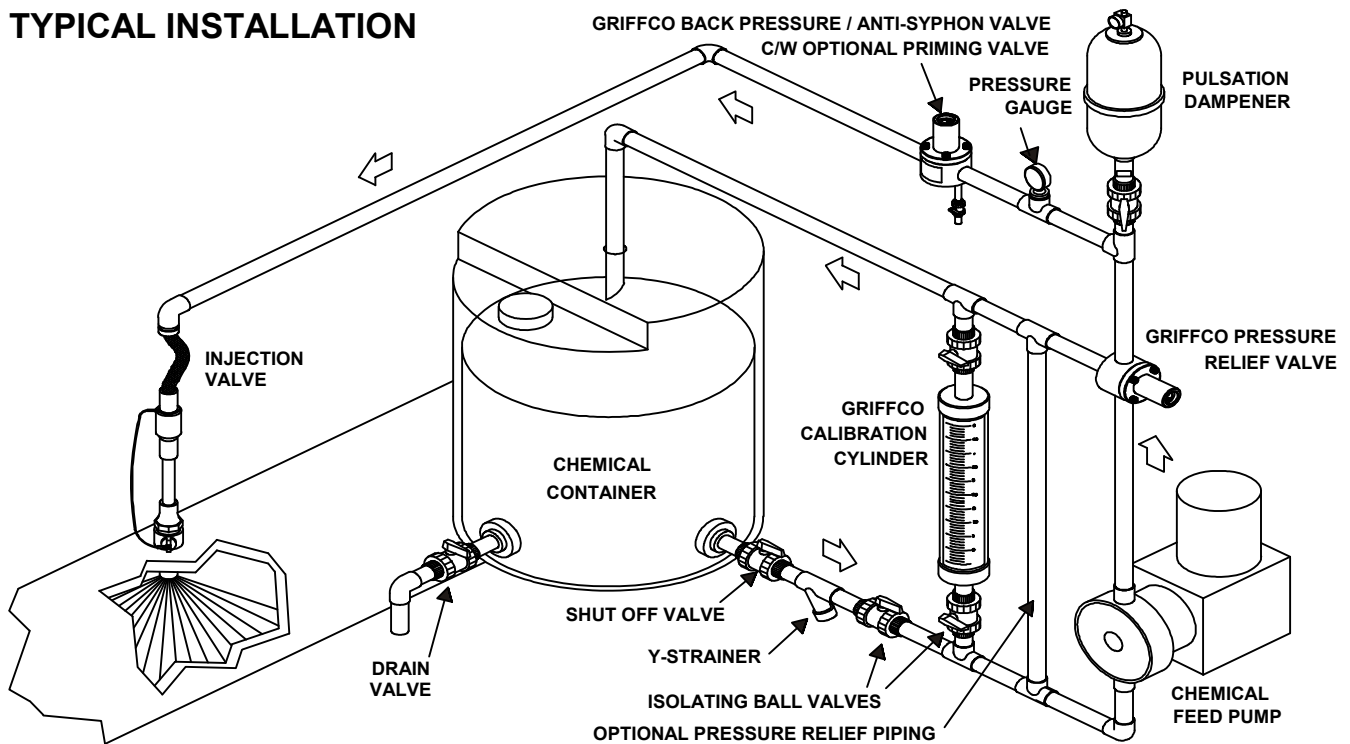
Features:

- One Piece Machined Construction
- Leakfree design, no joints
- High Reliability / Low Cost
- Molded PTFE/EPDM Diaphragm
- Adjustable 10 - 150 PSI
- Optional Pressure Ratings
- Bottom Support Disc
- Robust, Machined Construction
- Tamper Resistant Adjustment Screw
- Molded Noryl Top

Operation:

Griffco diaphragm pressure relief valves operate when the pressure in the chemical system exceeds the preset pressure of the valve. The diaphragm is held against the valve seat by an internal spring. When the preset pressure is exceeded the diaphragm is forced up and the chemical flows out the relief port, back to the chemical tank or to the suction side of the pump. The valves are pre-set at 50 psi, however they are field adjustable from 10 - 150 psi via the adjustment screw. The relief valve should be set approximately 15 psi higher than the system pressure. Installation should be made as close to the pump as possible, without any valves or accessories between the relief valve and the pump. Consult your pump manufacturer for their recommendations.

TYPICAL INSTALLATION



CALL 1 - 800 - GRIFFCO

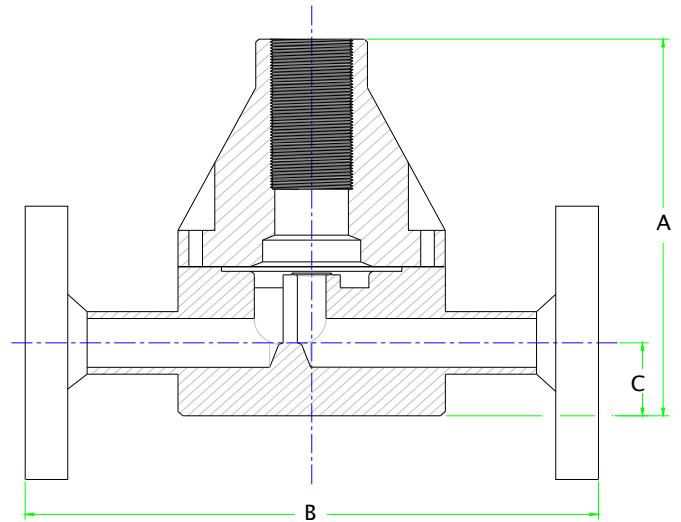
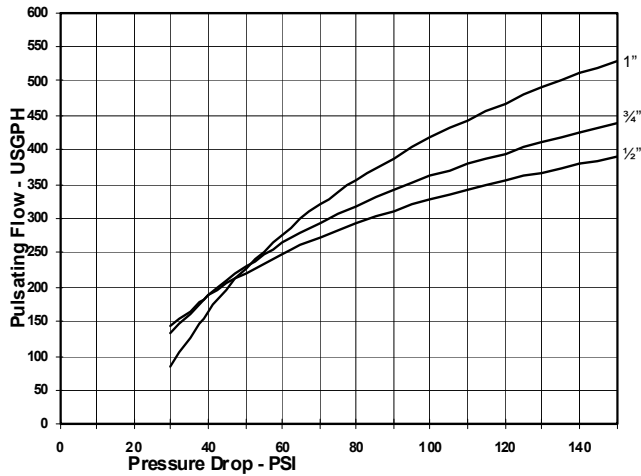
Bulletin # PRG2TF1003-2014

Technical Data:

Model PRG2 Sizes:		1/2", 3/4", 1"			
Connections:		Flange only			
Pressure Adjustment		Standard: 10 - 150 psi; Optional: 0 – 50 psi			
Flow Rates @ 150 psi		Shipping Weight: lbs			
Size	Pulsating	Continuous	Plastic	Metal / Plastic Top	Metal / Metal Top
1/2"	300 USgph	21 USgpm	3.0	N/A	N/A
3/4"	300 USgph	21 USgpm	3.0		
1"	500 USgph	26 USgpm	3.5		
Max Temperature: (°F)		300°, (Peak 390°)			
Max Operating Pressure(psi) @ 70 Deg. F		Plastic/Noryl: 375 psi			
Materials of Construction:					
Diaphragm		PTFE / EPDM, Optional: Viton, Hypalon, & PTFE / Viton			
Valve Top		Noryl, Optional: 316 SS			
Valve Body		PTFE			

Dimensions:

Performance Curves:



Product Codes For Ordering Pressure Relief Valves:

PRG2 T F
 1 2 3 4

1 = Size 2 = Material 3 = Spring Opt 4 = Options
 050 - 1/2" T - PTFE Blank - 10-150psi Blank- PTFE/EPDM Diaph
 075 - 3/4" V - Viton Diaphragm
 100 - 1" F - Flange Connection

DIMENSIONS: PRG2-T-F Series				
All Materials				
Size	A (in.)	B (in.)	C (in.)	Orifice (in.)
1/2"	5.560	7.500	1.125	0.375
3/4"	5.560	7.500	1.125	0.375
1"	5.860	7.500	1.250	0.437

Note: Only available in 2 port (180°) design.