



THE RIGHT PUMP FOR  
TOUGH JOBS

***KZN-SERIES***

***HEAVY DUTY SUBMERSIBLE AGITATOR / SLURRY PUMPS***



*ENGINEERED TO TACKLE THE TOUGHEST APPLICATIONS & BUILT TO LAST WHERE OTHERS FAIL.*

# KZN-SERIES

**KZN** - Heavy Duty Submersible Slurry Pumps with agitator is the choice of industries that face the most difficult pumping:

Lime slurries  
Wash down sumps  
Slag pits

Mill scale  
Ash transfer  
Food wastes  
Sand & gravel dewatering  
Barge & tank cleanout

Coal runoff sumps  
Tailings ponds  
Silt removal

## TOP 3 REASONS WHY YOU SHOULD CHOOSE THE KZN...

# 1 **EVERY** KZN slurry pump is constructed with the following abrasive resistant 28% chrome iron (600 Brinell, 57 Rockwell C) components;

- Agitator - to fluidize settled solids into a slurry.
- Wear plate - replaceable hardened surface on the suction side where erosion would cause a loss of pump performance.
- Semi- open Impeller - to handle abrasive solid concentrations as high as 70% by weight.



High-Chrome Agitator helps keep solids suspended in liquid and helps prevent pump from clogging.

# 2 **EVERY** KZN slurry pump model is protected by;

- Class H motor insulation - and built in amperage (FLA) and temperature overload protection.
- Double silicon carbide mechanical seals - in a separate oil filled seal chamber.
- Heavy Duty Lip Seal – additional protection for the mechanical seals.
- Stainless steel shaft and shaft sleeve – saves on shaft wear due to abrasives and corrosion.
- Pump volutes cast from hardened Ductile Iron - 300 Brinnell hardness; twice as abrasive resistant as standard ductile iron.

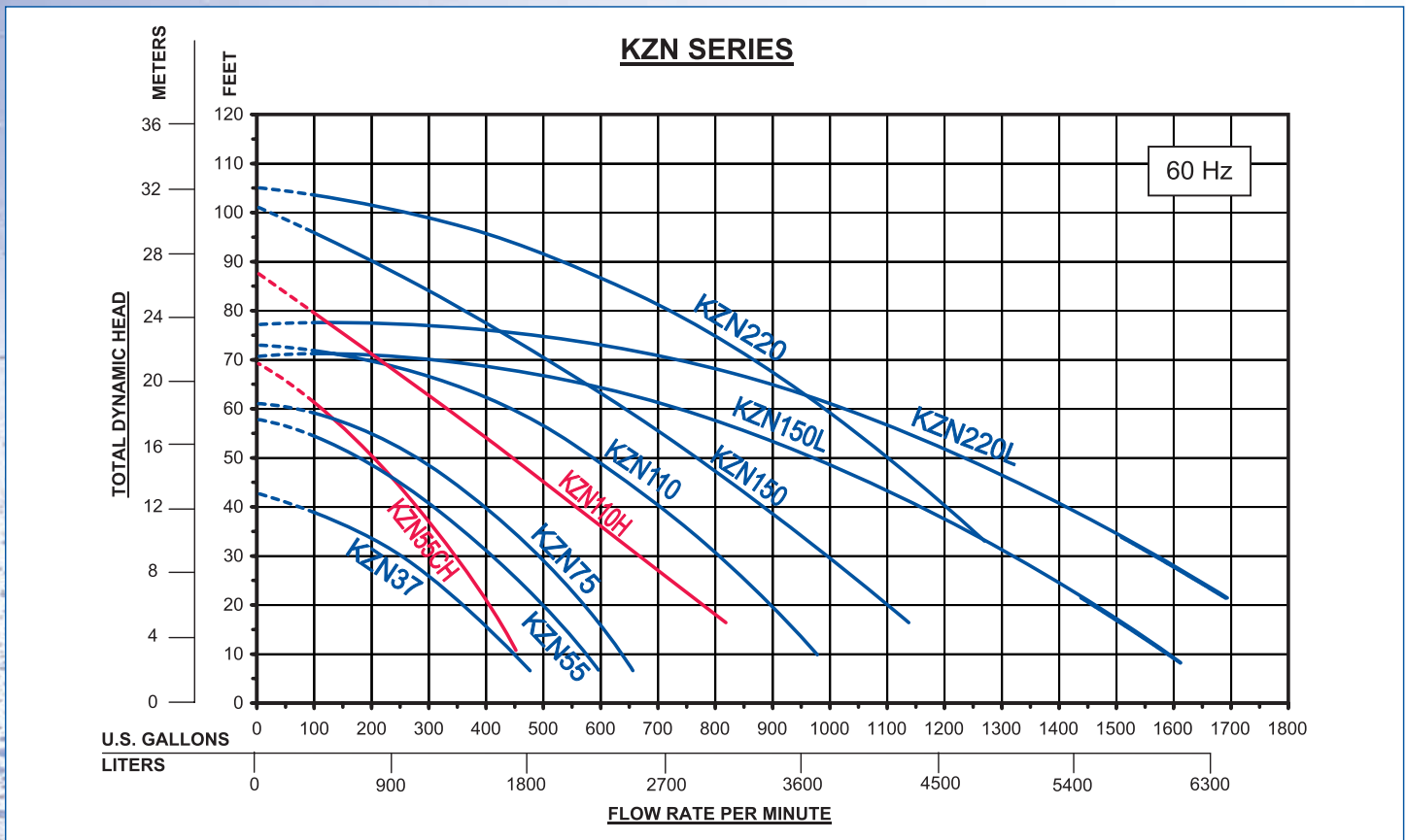
# 3 **EVERY** KZN is a top discharge pump;

KZN heavy duty slurry pumps are utility pumps; frequently dragged from one site to another. The KZN doesn't have a side discharge connection that can break off or be damaged as it is pulled and pushed into place.

- Top discharge pumps are cooled by pumped liquid - The KZN slurry pumps can pump a sump or pit down to within "inches" of the bottom. A side discharge pump without a cooling jacket must stay submerged to avoid overheating, leaving as much as 3 feet of un-pumped slurry.
- Top discharge means "SLIM" - even the largest model with a 22.75 inch "waistline" will fit down a manhole with a hose attached.
- The KZN's hardened ductile iron volutes - cast with extra thick walls at the point where pumped slurry enters the discharge.

# KZN-SERIES

EVERY KZN slurry pump is constructed with abrasive resistant 28% chrome iron (600 Brinell, 57 Rockwell C) impeller, wear plate & agitator.



## SPECIFICATIONS:

MODEL	DISCH. SIZE	H.P.	VOLT	RATED AMPS	MAX SOLIDS	MAX HEAD	MAX GPM	WEIGHT LBS	HEIGHT	WIDTH
KZN 37	3"	5	230/460	13.5/6.8	7/8"	42'	475	370	32.3"	16.5"
KZN 55	4"	7.5	230/460	19.5/9.5	1"	57'	594	385	32.3"	16.5"
KZN 55CH	3"	7.5	230/460	19.5/9.5	1"	69'	449	420	32.3"	17.25"
KZN 75	4"	10	230/460	26/13	1"	61'	655	397	33.0"	16.5"
KZN 110	6"	15	230/460	35/17.5	1 3/8"	72'	977	667	43.3"	21.5"
KZN 110H	4"	15	230/460	35/17.5	1 3/8"	87'	819	680	43.3"	21.5"
KZN 150	6"	20	460	26	1 1/2"	101'	1136	680	45.0"	21.5"
KZN150L	6"	20	460	26	1 1/2"	70'	1611	680	45.0"	21.5"
KZN 220	6"	30	460	39	1 1/2"	105'	1268	1275	52.2"	22.75"
KZN 220L	6"	30	460	39	1 1/2"	77'	1690	1275	52.2"	22.75"

Specifications subject to change without notice.

### Power Supply:

All pumps are 3 phase, 1750 rpm., and have Class H motor insulation.

\* Other voltages and HZ available.

\*\* All pumps supplied with 50' power cord. Custom cable lengths available.

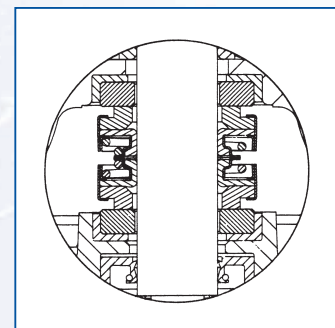
\*\*\* Seal Minder available for all models.

### Shaft Seal:

Dual Mechanical Seals (Sic) x 2;

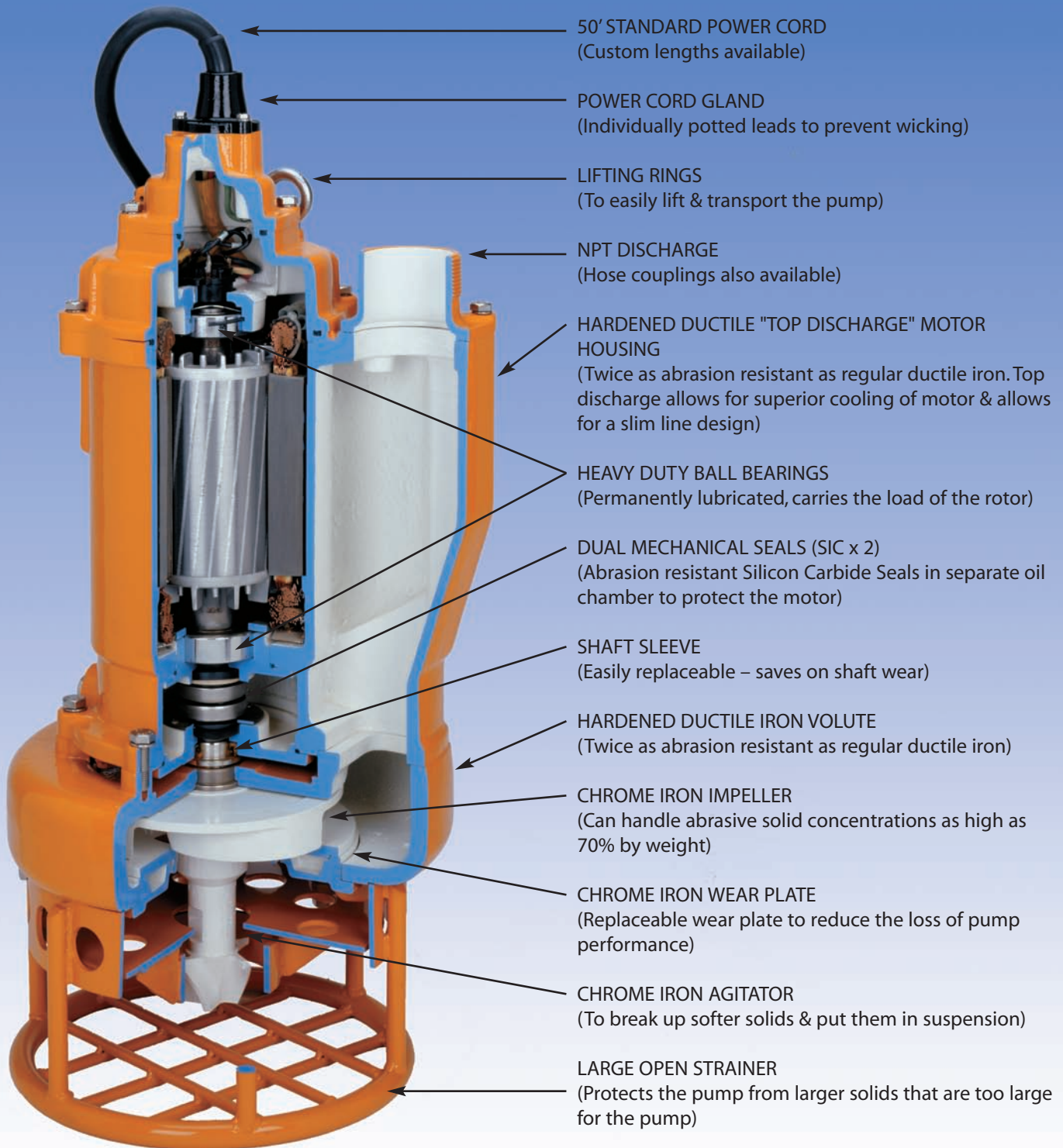
Single or Dual lip-seals (dependant on model).

Replaceable Shaft Sleeve for inexpensive maintenance.



- Triple protection sealing system
- Double Silicon Carbide Mechanical Seals in Oil Chamber
- Oil Seal Ring outside of Oil Chamber

# Features & Benefits



50' STANDARD POWER CORD  
(Custom lengths available)

POWER CORD GLAND  
(Individually potted leads to prevent wicking)

LIFTING RINGS  
(To easily lift & transport the pump)

NPT DISCHARGE  
(Hose couplings also available)

HARDENED DUCTILE "TOP DISCHARGE" MOTOR HOUSING  
(Twice as abrasion resistant as regular ductile iron. Top discharge allows for superior cooling of motor & allows for a slim line design)

HEAVY DUTY BALL BEARINGS  
(Permanently lubricated, carries the load of the rotor)

DUAL MECHANICAL SEALS (SIC x 2)  
(Abrasion resistant Silicon Carbide Seals in separate oil chamber to protect the motor)

SHAFT SLEEVE  
(Easily replaceable – saves on shaft wear)

HARDENED DUCTILE IRON VOLUTE  
(Twice as abrasion resistant as regular ductile iron)

CHROME IRON IMPELLER  
(Can handle abrasive solid concentrations as high as 70% by weight)

CHROME IRON WEAR PLATE  
(Replaceable wear plate to reduce the loss of pump performance)

CHROME IRON AGITATOR  
(To break up softer solids & put them in suspension)

LARGE OPEN STRAINER  
(Protects the pump from larger solids that are too large for the pump)



123 Spencer Plain Road  
P.O. Box 1138  
Old Saybrook, CT 06475

Tel: (860)-399-5937  
Toll Free: (877)-BJM-PUMP  
Fax: (860)-399-7784

Web: [www.bjmpumps.com](http://www.bjmpumps.com)

Distributor: