



Model STINGRAY

Portable Level-Velocity Logger

Features

- Portable and compact
- Watertight, airtight, dust proof (IP67) polycarbonate enclosure
- Runs on 4 alkaline 'D' cell batteries
- Measures level, velocity and temperature in open pipes and channels for extended periods
- Includes Windows software for Flow analysis and reporting



Description

Portable, Battery-powered

This compact new meter operates on standard alkaline batteries for extended time periods to log level, velocity and water temperature in open channels, partially full sewer pipes and surcharged pipes a flume or weir. It is designed for municipal stormwater, combined effluent, raw sewage, irrigation water and stream flow.

Streamlined Ultrasonic Sensor

Stingray uses a submerged ultrasonic sensor to continuously measure both Velocity and Level in the channel. The sensor has no moving parts and is resistant to fouling and corrosion.

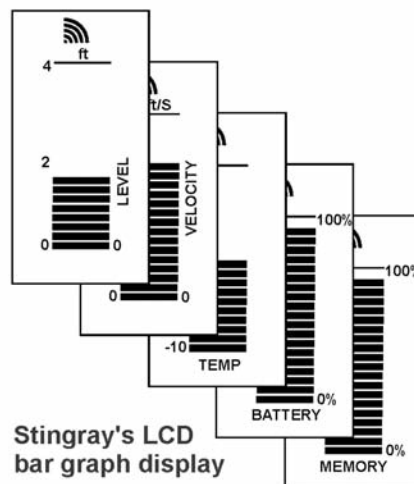
Stingray measures Level and Velocity in open channels or pipes.

No calibration is required. The sensor is a completely sealed ultrasonic unit with no orifices or ports. It mounts inside the pipe or at the bottom of a channel. The watertight electronics enclosure is hung in the manhole or at a convenient location. Sensor mounting bracket, batteries, software and cables are included with each Stingray.

Built-in Display for Operator Confidence

Check Stingray status and performance without connecting to your laptop. Press the display

button and the Stingray scrolls through bar graph displays of level, velocity and temperature readings, plus remaining battery and logger storage capacity. Operators can use the LCD display to check performance at start-up and confirm Stingray readings and signal strength at any time during operation. The display powers off automatically after 60 seconds to conserve battery power.



Stingray's LCD bar graph display

Applications

- Stream Flow Monitoring
- Stormwater Runoff
- Inflow & Infiltration Studies
- Irrigation Water
- Flow Surveys
- CSO Monitoring
- Permit Compliance
- Wastewater Treatment
- Plant Flow Studies



AquaMetrix Logger Software

Powerful Windows software is included free with each Stingray. Use it to set the logger interval, to download log files and view Level, Velocity and water temperature readings in real-time.

The data logger will display log files and flow rates in graph and table formats. It will generate flow reports including minimum, maximum and average flow, calculate flow totals, and convert between common measurement units.

Reporting is easy - you can export charts as image files and export data to use in spreadsheet or database programs.



Stingray Installed in a Stream Flow Application



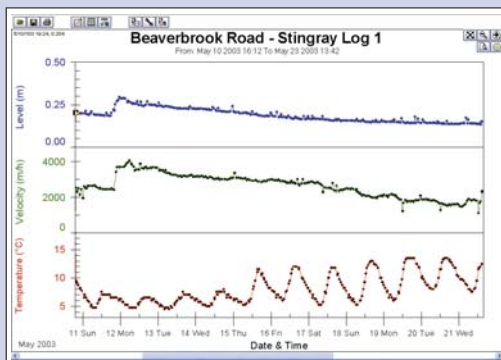
Retrieve a Log file
from Stingray

+

Click
'Generate Flow Log'

=

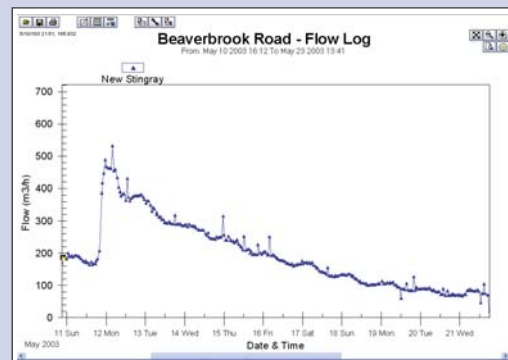
AquaMetrix Logger
calculates Flow



Channel Type: OK

Channel ID (m): Cancel

Calculate flow
with AquaMetrix
Logger software



Model STINGRAY Portable Level-Velocity Logger

Technical Data

General Specifications

Electronics Enclosure:	Watertight, airtight, dust proof (IP67) polycarbonate
Accuracy:	Level: $\pm 0.25\%$ of Range. Velocity: $\pm 2\%$ of Reading
Display:	LCD displays: Level, Velocity, Water Temperature, Battery and Memory capacity
Operating Temp. (electronics):	-4° to 140°F (-20° to 60°C)
Instrument Set-up:	via Data Logger software for Windows: Logging Time Interval, Site Name
Logger Interval:	10 sec (15 days), 30 sec (45 days), 1 min (3 months), 2 min (6 months), 5 min (1 year), 10 min (2 years), 20 min (4 years)
Data Logger Capacity:	130,000 data points
Power:	4 Alkaline 'D' cells
Output/Communications:	RS232, 28,800 Baud
RS232 Cable:	20 ft (6 m) shielded with DB9 M/F connectors
Software:	Data Logger for Windows. Supports real-time monitoring, log file download and export, graph and data table presentation, level/velocity to flow conversion
Approximate Shipping Weight:	10 lbs. (4.5 kg)

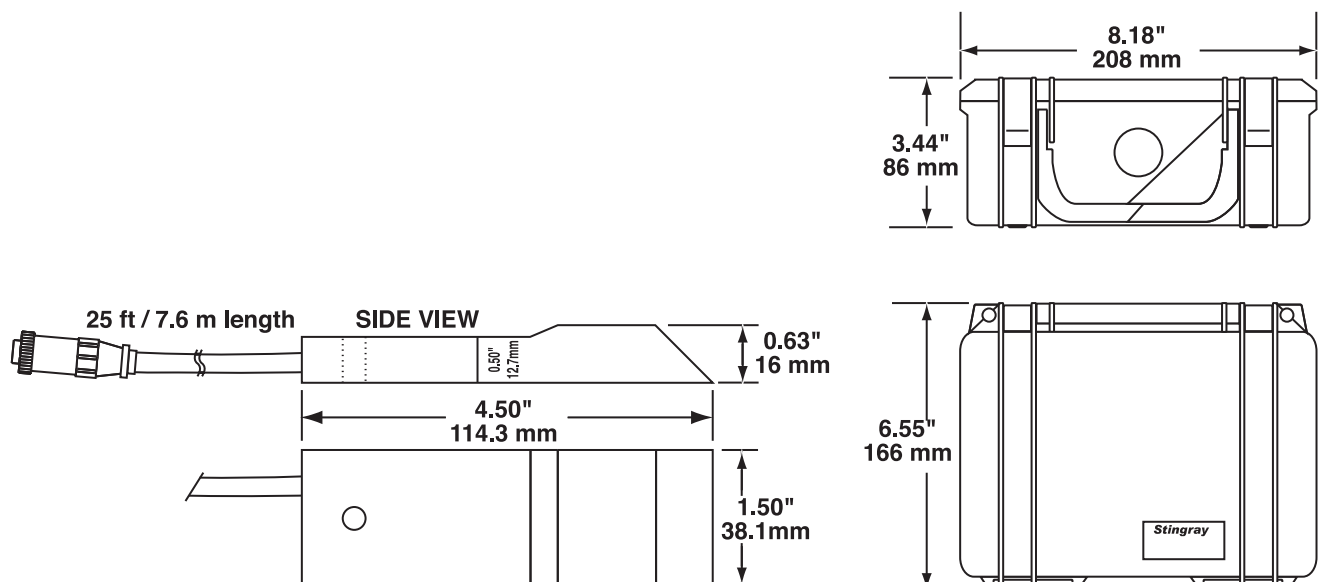
QZ02 Sensor

Velocity Measurement Range:	0.1 to 10 ft/sec (0.03 to 3.05 m/sec)
Level Measurement Range:	Minimum Head: 1 in (25.4 mm). Maximum Head: 15 ft. (4.5 m)
Operating Temperature:	5 to 150°F (-15 to 65°C)
Exposed Materials:	PVC, polyurethane, epoxy
Sensor Cable:	25 ft. (7.6 m) submersible polyurethane jacket, shielded, 3-coaxial
Sensor Mounting:	includes MB-QZ stainless steel mounting bracket
Temperature Compensation:	Automatic, continuous

Options

Sensor Cable Extension:	shielded 50 ft. (15 m) submersible, polyurethane jacket with watertight connectors
Sensor Mounting Bands:	Stainless steel sensor mounting bands for pipes from 6" to 72" (150 to 1800 mm)

Dimensions



Model STINGRAY Portable Level-Velocity Logger

For Flow Surveys in Sewers, Streams and Open Channels

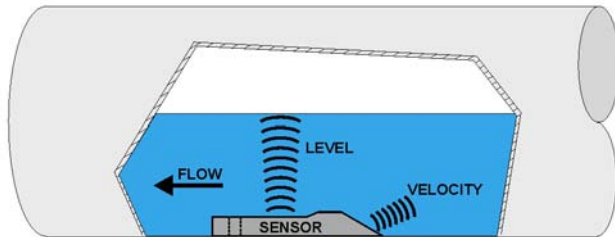


Easy to Operate

No calibration is required. Just install the sensor at the bottom of the pipe or channel and the Stingray logs level and velocity readings. A data logger software is provided to set the logging interval, and to view readings in real-time on your laptop or PC. Stingray's built-in LCD display lets operators check level and velocity rates, remaining battery life and logger memory.

Efficient, Battery Powered

With 4 standard Alkaline 'D' cells the Stingray will operate and data log for extended time periods. (For example: logging at 5 minute intervals the Stingray batteries will last for 12 months and store over 105,000 separate level, velocity and temperature readings!)



**SUBMERGED ULTRASONIC SENSOR
MEASURES LEVEL AND VELOCITY**

How it Works

The sensor transmits ultrasonic pulses that travel through the water and reflect off the liquid surface. To monitor water level, the Stingray precisely measures the time it takes for echoes to return to the sensor.

Velocity is measured with an ultrasonic signal continuously injected into the flow. This high frequency sound is reflected back to the sensor from particles or bubbles suspended in the liquid. If the fluid is in motion, the echoes return at an altered frequency proportionate to flow velocity. The Stingray uses this Doppler frequency shift to accurately calculate flow velocity.

How to Order

Contact an AquaMetrix sales representative in your area or phone one of our sales engineers. Describe your requirements and receive our prompt quotation.

Applications Support

Take advantage of AquaMetrix's applications experience. Phone toll free 1-800-742-1413 for advice on applications, installation or service for AquaMetrix instruments.

The AquaMetrix Guarantee

Quality of Materials and Workmanship - AquaMetrix Flow Meters are warranted against defects in materials and workmanship for a period of one year from date of purchase. Refer to our limited warranty included with each product.



AquaMetrix Inc.
www.aquametrix.com
1-800-742-1413

