



## Model SPX Series Low Flow Sensors



### Features

- Accurate at low flows
- Simple and durable
- Compatible with a variety of chemicals
- Visual flow monitoring
- Inexpensive
- Six blade impeller
- For small pipe sizes (3/8" to 1")

### Applications

- Low flow monitoring
- Chemical batching and mixing
- Proportional chemical injection
- Fertilizer injection
- Irrigation
- Process cooling systems
- Neutralization systems
- Process flow control
- Filtration systems

### Description

These versatile impeller flowmeters are available in 3/8", 1/2", 3/4", and 1" nominal pipe sizes with female NPT threads (SAE optional). They employ jewel bearings to allow for very low minimum flow rates and superior life.

With a body material of polypropylene, the SPX is an economical choice for metering water or low corrosion fluids. The lens cover is available in a choice of materials: acrylic for visual flow indication of low-corrosion fluids; polypropylene when more corrosion resistance is needed. The standard rotor assembly is Kynar with tungsten carbide shaft (ceramic shaft optional). The O-ring is EPDM.

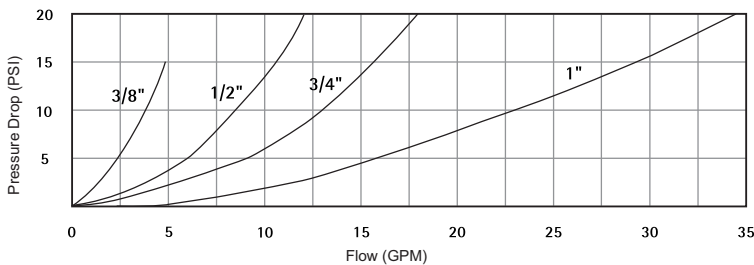
The pulse output of the SPX meter is compatible with many different types of controls, including a range of AquaMetrix displays and controls. For rate and total display, the Shark-120/240 controller or SharkTX(P) transmitter (loop powered) models are compatible with the SPX series sensors. They can be mounted in either surface, pipe or panel configurations.

# Model SPX Series Low Flow Sensors

## Technical Data

<b>Connections</b>	3/8", 1/2", 3/4", 1" Female NPT thread (SAE thread optional)
<b>Materials</b>	
Body	Polypropylene
Cover	Acrylic (polypro optional)
Rotor	PVDF (kynar)
Shaft	Nickel tungsten carbide (zirconia ceramic optional)
Bearings	Ruby ring and ball
O-ring	EPDM (kalrez or teflon-coated viton optional)
<b>Maximum Temperature</b>	160° F (70° C)
<b>Maximum Pressure</b>	150 PSI (10 bar)
<b>Accuracy</b>	± 1% of full scale
<b>Sensor Cable</b>	18 feet (6m) standard
<b>Max cable run</b>	2000 ft. (650 m)
<b>Power</b>	5-24 Vdc, 2 mA min
<b>Outputs</b>	Current sinking pulse, 6-24 Vdc

## Pressure Drop Curves

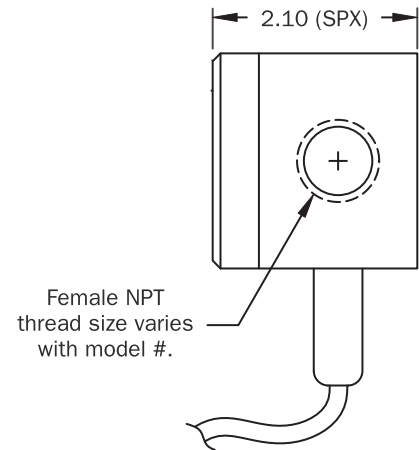
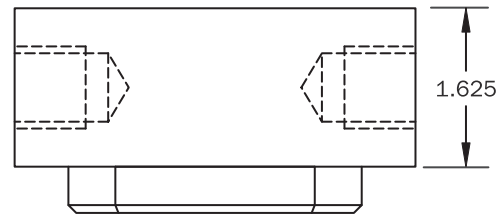
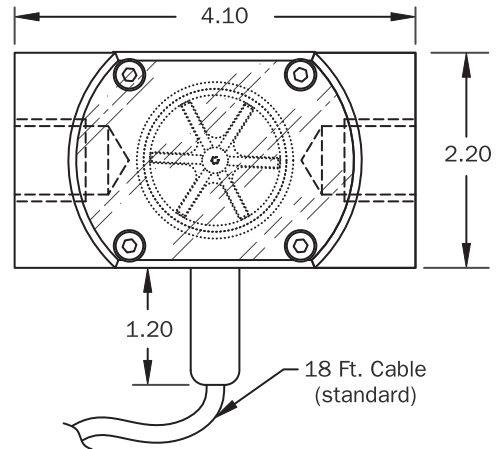


## Flow Rates

Model #	*K-Factor (pulses/Gal)	Gal/Min	Liter/Min
-038	1417	0.07-5	0.27-18.9
-050	658	0.1-10	0.38-37.9
-075	468	0.2-20	0.75-75
-100	254	0.5-40	1.9-150

\* Nominal K-factors (based on averages) for standard 2-magnet SPX. High resolution (6-magnet) K-factors are approximately tripled.

## Dimensions



## Ordering Information

**SPX** - Low-Flow Sensor

**038** 3/8" NPT

**050** 1/2" NPT

**075** 3/4" NPT

**100** 1" NPT

**SPX** \_\_\_\_\_



AquaMetrix Inc.  
www.aquametrix.com  
1-800-742-1413

